

TRM

Tappo filtro aria con attacco filettato

Air breather cap with threaded connection



Elementi compatti per montaggio mediante avvitatura su filetto BSP ed NPT, consentono la filtrazione dell'aria tra serbatoio ed ambiente esterno.

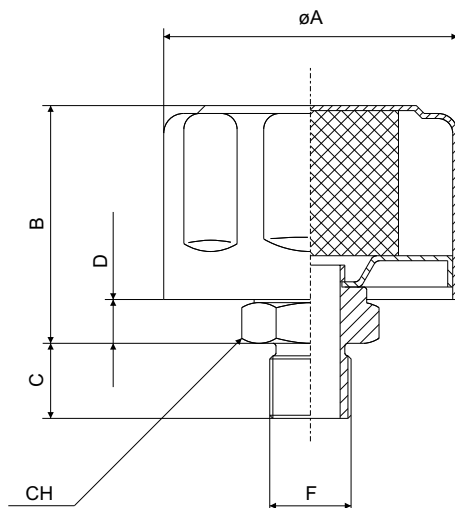
Costruiti in acciaio cromato con filetto maschio zincato, i tappi vengono forniti in confezioni da due.

N.B.: Su richiesta del cliente, il prodotto può essere fornito con logo personalizzato.

These compact elements, mounted by screwing on a suitable BSP and NPT thread, permit the exchange of filtered air between the oil tank and the environment.

Chrome plated steel with galvanized male thread. The caps are supplied in pairs.

N.B.: On demand, the product can be supplied with logo.



Tipo Type	Filtro aria / Air filter		Dimensioni / Dimensions (mm)					
	Filtrazione micron Micron filtering	Flusso raccomandato Recommended flow dm ³ /min	F	øA	B	C	D	CH
TRM-1-18	40 Spugna / 40 Sponge	200	1/8" BSP	47	37,5	12,5	7	19
TRM-1-18S1	10 Spugna / 10 Sponge	200	1/8" BSP	47	37,5	12,5	7	19
TRM-1-18P1	10 Carta / 10 Paper	200	1/8" BSP	47	37,5	12,5	7	19
TRM-1-18N	40 Spugna / 40 Sponge	200	1/8" NPT	47	37,5	12,5	7	19
TRM-1-18NS1	10 Spugna / 10 Sponge	200	1/8" NPT	47	37,5	12,5	7	19
TRM-1-18NP1	10 Carta / 10 Paper	200	1/8" NPT	47	37,5	12,5	7	19
TRM-1-14	40 Spugna / 40 Sponge	250	1/4" BSP	47	37,5	12,5	7	19
TRM-1-14S1	10 Spugna / 10 Sponge	250	1/4" BSP	47	37,5	12,5	7	19
TRM-1-14P1	10 Carta / 10 Paper	250	1/4" BSP	47	37,5	12,5	7	19
TRM-1-14N	40 Spugna / 40 Sponge	250	1/4" NPT	47	37,5	12,5	7	19
TRM-1-14NS1	10 Spugna / 10 Sponge	250	1/4" NPT	47	37,5	12,5	7	19
TRM-1-14NP1	10 Carta / 10 Paper	250	1/4" NPT	47	37,5	12,5	7	19
TRM-1-38	40 Spugna / 40 Sponge	250	3/8" BSP	47	37,5	12,5	7	19
TRM-1-38S1	10 Spugna / 10 Sponge	250	3/8" BSP	47	37,5	12,5	7	19
TRM-1-38P1	10 Carta / 10 Paper	250	3/8" BSP	47	37,5	12,5	7	19
TRM-1-38N	40 Spugna / 40 Sponge	250	3/8" NPT	47	37,5	12,5	7	19
TRM-1-38NS1	10 Spugna / 10 Sponge	250	3/8" NPT	47	37,5	12,5	7	19
TRM-1-38NP1	10 Carta / 10 Paper	250	3/8" NPT	47	37,5	12,5	7	19
TRM-1-12S1	40 Spugna / 40 Sponge	250	1/2" BSP	47	37,5	13	7	24
TRM-1-12S1	10 Spugna / 10 Sponge	250	1/2" BSP	47	37,5	13	7	24
TRM-1-12P1	10 Carta / 10 Paper	250	1/2" BSP	47	37,5	13	7	24
TRM-1-12N	40 Spugna / 40 Sponge	250	1/2" NPT	47	37,5	15	7	24
TRM-1-12NS1	10 Spugna / 10 Sponge	250	1/2" NPT	47	37,5	15	7	24
TRM-1-12NP1	10 Carta / 10 Paper	250	1/2" NPT	47	37,5	15	7	24
TRM-2-12	40 Spugna / 40 Sponge	350	1/2" BSP	75	46	16	10	32
TRM-2-12S1	10 Spugna / 10 Sponge	350	1/2" BSP	75	46	16	10	32
TRM-2-12P1	10 Carta / 10 Paper	350	1/2" BSP	75	46	16	10	32
TRM-2-12N	40 Spugna / 40 Sponge	350	1/2" NPT	75	46	19	10	32
TRM-2-12NS1	10 Spugna / 10 Sponge	350	1/2" NPT	75	46	19	10	32
TRM-2-12NP1	10 Carta / 10 Paper	350	1/2" NPT	75	46	19	10	32
TRM-2-34	40 Spugna / 40 Sponge	700	3/4" BSP	75	46	16	10	32
TRM-2-34S1	10 Spugna / 10 Sponge	700	3/4" BSP	75	46	16	10	32
TRM-2-34P1	10 Carta / 10 Paper	700	3/4" BSP	75	46	16	10	32
TRM-2-34N	40 Spugna / 40 Sponge	700	3/4" NPT	75	46	19	10	32
TRM-2-34NS1	10 Spugna / 10 Sponge	700	3/4" NPT	75	46	19	10	32
TRM-2-34NP1	10 Carta / 10 Paper	700	3/4" NPT	75	46	19	10	32
TRM-2-100	40 Spugna / 40 Sponge	1000	1" BSP	75	46	18	10	38
TRM-2-100S1	10 Spugna / 10 Sponge	1000	1" BSP	75	46	18	10	38
TRM-2-100P1	10 Carta / 10 Paper	1000	1" BSP	75	46	18	10	38
TRM-2-100N	40 Spugna / 40 Sponge	1000	1" NPT	75	46	18	10	38
TRM-2-100NS1	10 Spugna / 10 Sponge	1000	1" NPT	75	46	18	10	38
TRM-2-100NP1	10 Carta / 10 Paper	1000	1" NPT	75	46	18	10	38

Stockholm
Turebergsvägen 5
SE-191 47 Sollentuna
Tel. +46 (0)8-59 470 470
Fax +46 (0)8-59 470 479
Försäljning
www.hydrnet.se

Göteborg
EA Rosengrens gata 29
SE-421 31 V:a Frölanda
Tel. +46 (0)31-499 490
Fax +46 (0)31-499 499
Lager Ekonomi Försäljning

Malmö
Carlsgatan 12A
SE-211 20 Malmö
Tel. +46 (0)40-699 81 80
Fax +46 (0)40-699 81 81
Försäljning

F-skatt 556552-9848
Momsreg.nr. SE 556552984801
Säte Göteborg
Bankgiro 5238-2801
Plusgiro 6224-0
IBAN: SE02 3000 0000 0312 4170 3035
SWIFT NDEASESS