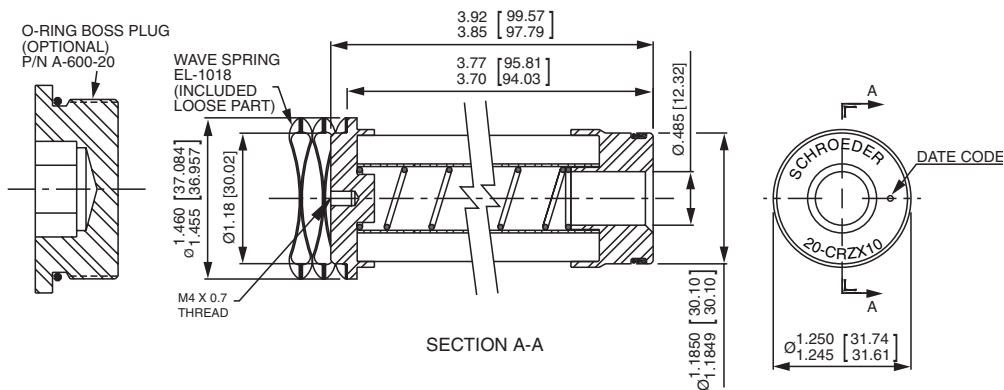


# 20-CRZX10

# Cartridge Element

## 20-CRZX10



For cavity details, request drawing C-10380 from factory.

## Applications/ Features



INDUSTRIAL



MOBILE  
VEHICLES

- Cartridge filters are designed to be mounted directly in the manifold
- Withstands high pressure surges—3000 psi (210 bar) collapse rating

NOTE: Code 20 denotes SAE straight thread size.

## Element Specifications

Model Number	Flow	Pressure
20-CRZX10	12 gpm (45 L/min)	3000 psi (210 bar) collapse

## Element Performance Information

Element	Filtration Ratio Per ISO 4572/NFPA T3.10.8.8 Using automated particle counter (APC) calibrated per ISO 4402			Filtration Ratio wrt ISO 16889 Using APC calibrated per ISO 11171	
	$\beta_x \geq 75$	$\beta_x \geq 100$	$\beta_x \geq 200$	$\beta_{x(c)} \geq 200$	$\beta_{x(c)} \geq 1000$
ZX10	7.4	8.2	10.0	8.0	9.8

Contact factory for other media options.

## Filter Housing Specifications

Max. Operating Pressure:	3000 psi (210 bar)
Temp. Range:	-20°F to 225°F (-29°C to 107°C)
Element Change Clearance:	20-CRZX10: 3.50" (90 mm)

## Model Number Selection

Series	Plug Option
20-CRZX10	Omit = No Plug P = Plug

## Element Selection Based on Flow Rate

Pressure To 3000 psi (210 bar)	Element Series Z Media	Element Part No.	Element selections are predicated on the use of 150 SUS petroleum based fluid.			
			20-CRZX10			
Flow	gpm	(L/min)	0	5	10	15
			0	25	50	

## Notes