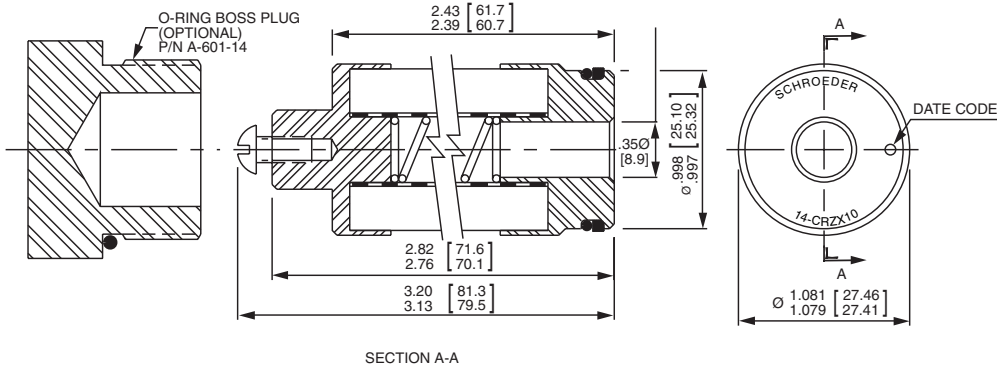


Cartridge Element 14-CRZX10



SECTION A-A

For cavity details, request drawing C-10379 from factory.



INDUSTRIAL



MOBILE VEHICLES

- Cartridge filters are designed to be mounted directly in the manifold
- Withstands high pressure surges—3000 psi (210 bar) collapse rating

NOTE: Code 14 denotes SAE straight thread size.

14-CRZX10

NF30

NFS30

YF30

DF40

CF40

CFX30

Applications/ Features

RF60

RF550

Element Specifications

CF60

VF60

Model Number	Flow	Pressure
14-CRZX10	6 gpm (23 L/min)	3000 psi (210 bar) collapse

Element Performance Information

KF30

TF50

Element	Filtration Ratio Per ISO 4572/NFPA T3.10.8.8 Using automated particle counter (APC) calibrated per ISO 4402			Filtration Ratio wrt ISO 16889 Using APC calibrated per ISO 11171	
	$\beta_x \geq 75$	$\beta_x \geq 100$	$\beta_x \geq 200$	$\beta_x(c) \geq 200$	$\beta_x(c) \geq 1000$
ZX10	7.4	8.2	10.0	8.0	9.8

Contact factory for other media options.

Filter Housing Specifications

KF50

KC50

Max. Operating Pressure: 3000 psi (210 bar)

Temp. Range: -20°F to 225°F (-29°C to 107°C)

Element Change Clearance: 14-CRZX10: 4.50" (115 mm)

Model Number Selection

KFH50

MKF50

Series	Plug Option
14-CRZX10	Omit = No Plug P = Plug

Element Selection Based on Flow Rate

KC65

FOF60-03

NOF30-05

NOF50-760

NMF30

RMF60

Pressure To 3000 psi (210 bar)	Element		Element selections are predicated on the use of 150 SUS petroleum based fluid.				
	Series	Part No.					
Flow	Z Media	14-CRZX10	14-CRZX10				
			gpm	0	5	10	15
			(L/min)	0	25	50	

Notes

Cartridge Elements