

Filler Strainer Assemblies

ABF-3/10-S
 ABF-3/10-S6
 ABF-S40-S
 ABF-S40-S6

Filler
 Breather
 with
 Strainer

Air Breathers

Filler
 Strainer
 Assemblies

Magnetic
 Suction
 Separators

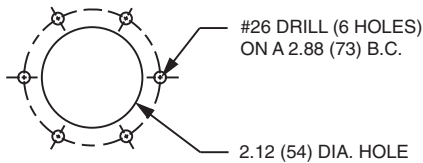
Suction
 Strainers

The strainer used here is #24 mesh and is available in the lengths shown.

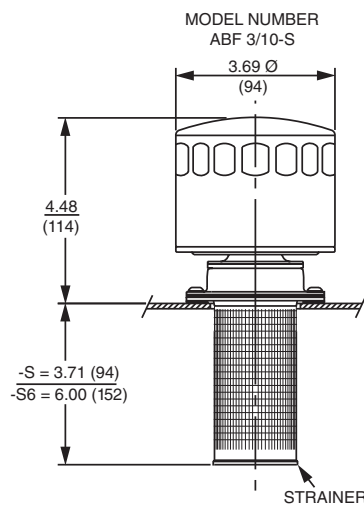
Model Number	Adapter Type	Minimal Micron Retention	Normal Capacity	Air Flow/psi Drop
ABF-3/10-S ABF-3/10-S6	SAE-type flange	10	40 SCFM	0.4 psi at 20 SCFM - 1.25 psi at 40 SCFM
ABF-S40-S ABF-S40-S6	SAE-type flange	40	40 SCFM	0.29 psi at 20 SCFM - 1.06 psi at 40 SCFM

SCFM = Standard Cubic Feet per Minute

To replace breather only, order
 ABF-3/10-F or ABF-S40-F.



MOUNTING REQUIREMENT



A-TB-779
 A-TB-780

Rapid
 Fill Cap
 and
 Strainer

Speed the process of adding fluid to a reservoir by using our rapid fill cap and strainer. The strainer is 4.38" in diameter and designed to accept cold viscous fluids easily. Choose from two strainer mesh sizes: A-TB-779, which features #24 mesh, and A-TB-780, which is supplied with #70 mesh. The cap completely seals the opening. All assemblies are supplied with necessary hardware, including retaining chain for cap and self tapping screws for installation.



Specifications: A-TB's

Model Number	Mesh Size	Strainer O.D.	Strainer Height	Flange Diameter
A-TB-780	70	4.38	3.94	5.56
A-TB-779	24	(111)	(100)	(141)

Metric dimensions in ().

