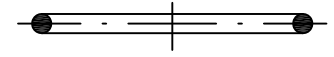
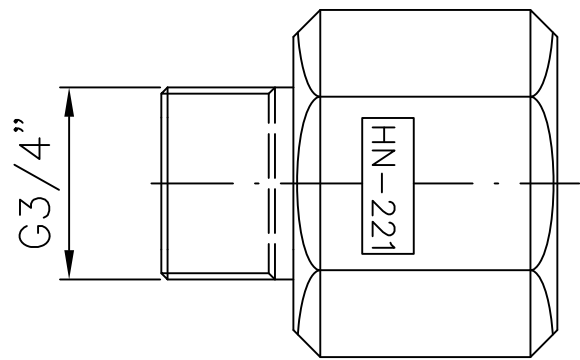
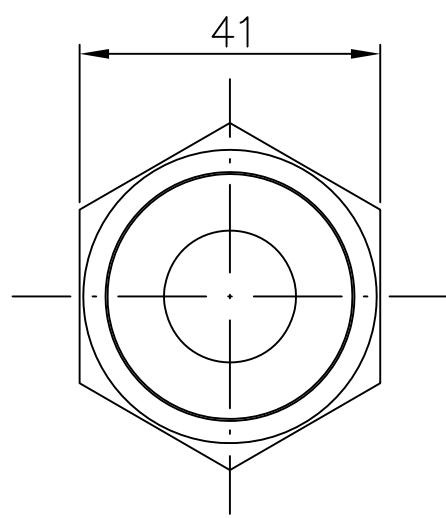


1	2	3	4
RevNo	Revision note	Date	Signature
			Checked



O-ring 2-125



Framed text is to be stamped on surface  
Text height = 4 mm  
Sharp edges chamfered

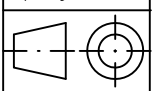
Coefficient of roughness, where nothing else is stated, Ra 3,2 μm

GENERAL TOLERANCES IN ACCORDANCE WITH ISO 2768-M, UNLESS OTHERWISE STATED.

Elförzinkas

		HN-221	SS-1914		685-0155M
Itemref	Quantity	Title/Name, designation, material, dimension etc			Article No./Reference
Designed by KSM	Drawn by JWN	Approved by - date	Size A4	Date 2008-08-14	Scale 1:1

1 st angle projection



**HYDNET** ab =

Adapter för Schroeder D-AB-4

L01840

Edition Rev. -  
Sheet 1/1