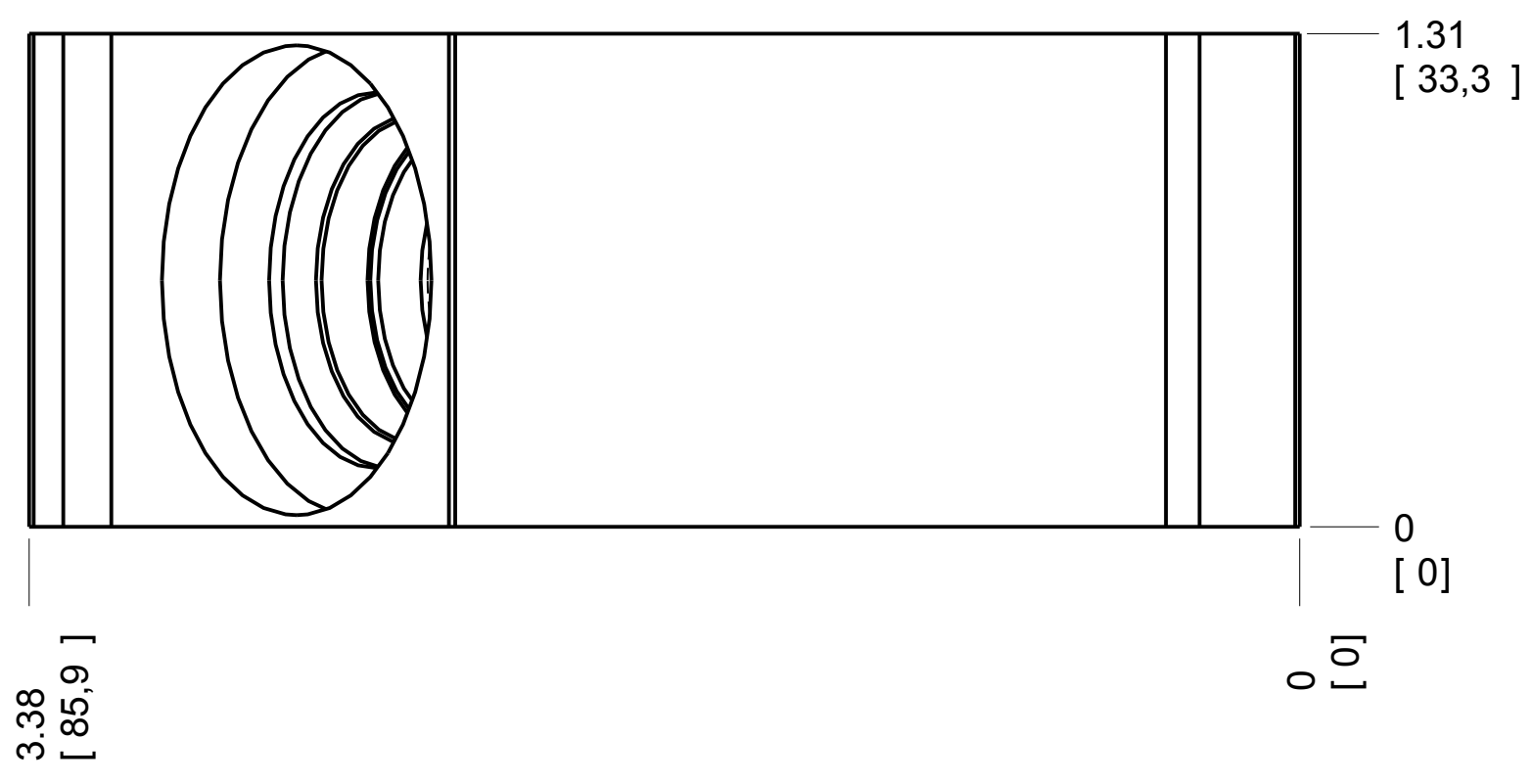
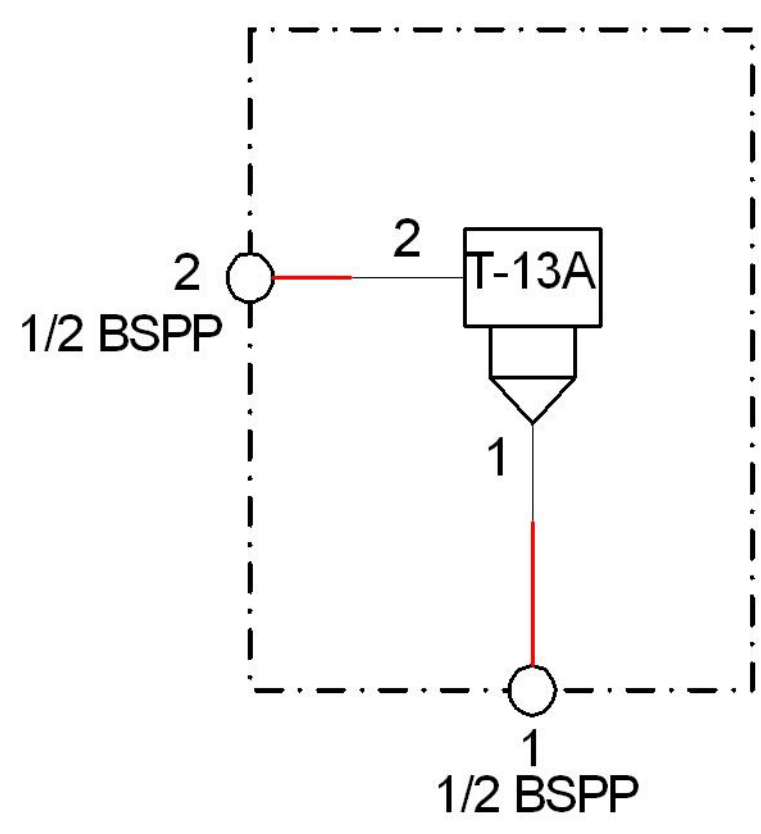
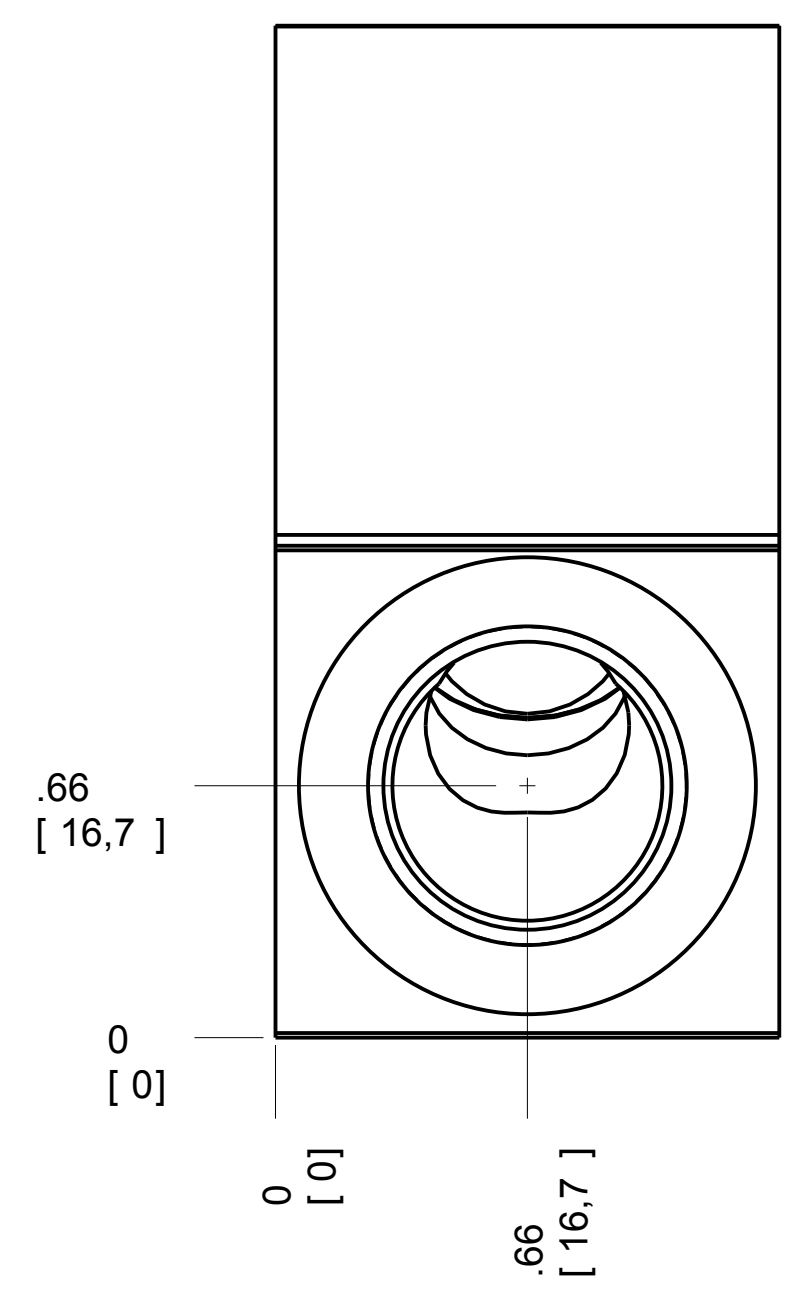
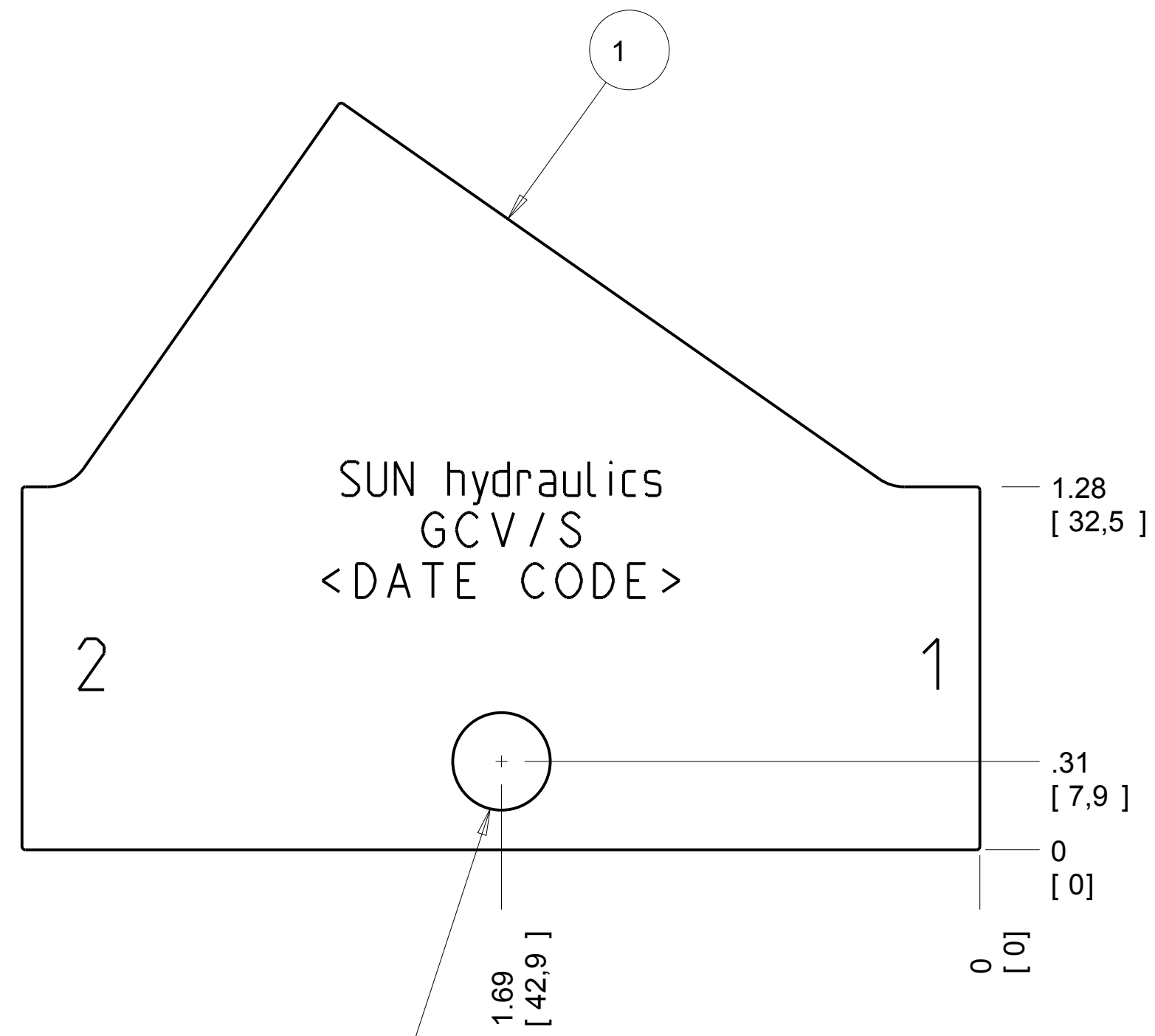
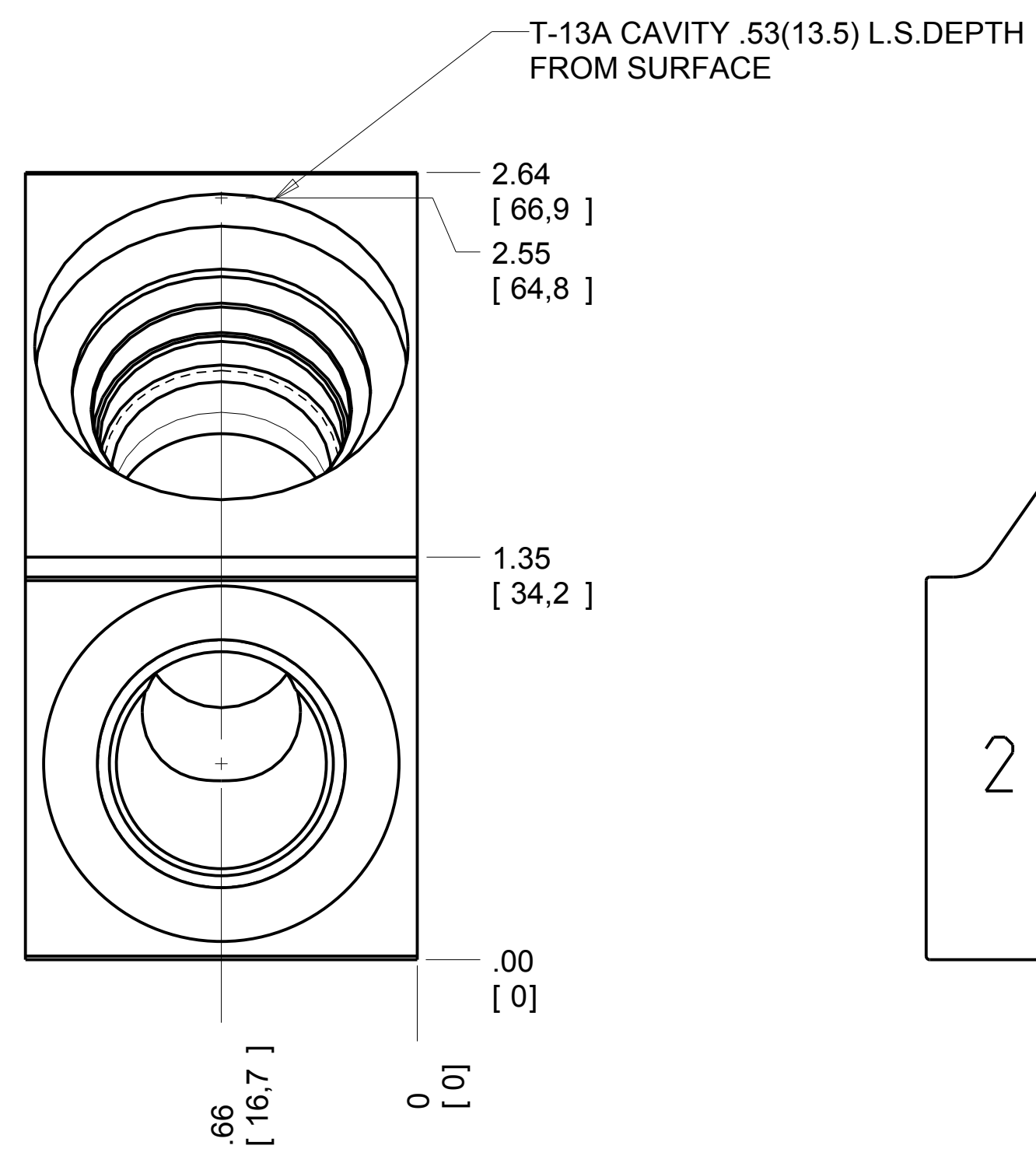


REFER TO SUN HYDRAULICS TECHNICAL LITERATURE AND CATALOGUE FOR DETAILS OF CARTRIDGE STANDARD SETTINGS, ADJUSTMENT RANGES, MAXIMUM PRESSURE RATINGS, SEAL MATERIAL, TORQUE VALUES, ETC.



ENGINEERING VALIDATION REQUIRED
 1. AFTER STAMPING
 2. AFTER MANIFOLD FINISH



.34(8.7) DIA THRU HOLE

1	178-796		DUCTILE IRON UK	BODY	1
ITEM	PART NO.	SETTING	MATERIAL	PART NAME	QTY

TITLE		IN LINE BODY T-13A CAVITY .500 BSPP PORTS		REV	A	PART NO.	GCV/S
SCALE	2.000	REF.	EQ300483	MATERIAL	SEE BOM		
DRAWN	AMG	CHECK	***	RELEASE	HEAT TREAT & FINISH		
DATE	09APR14	DATE	***	DATE	UK300483		
LET	INITIAL RELEASE	DATE	AMG	PRO/E	CHEMICAL BLACK		

