

Filter

Functional Group:

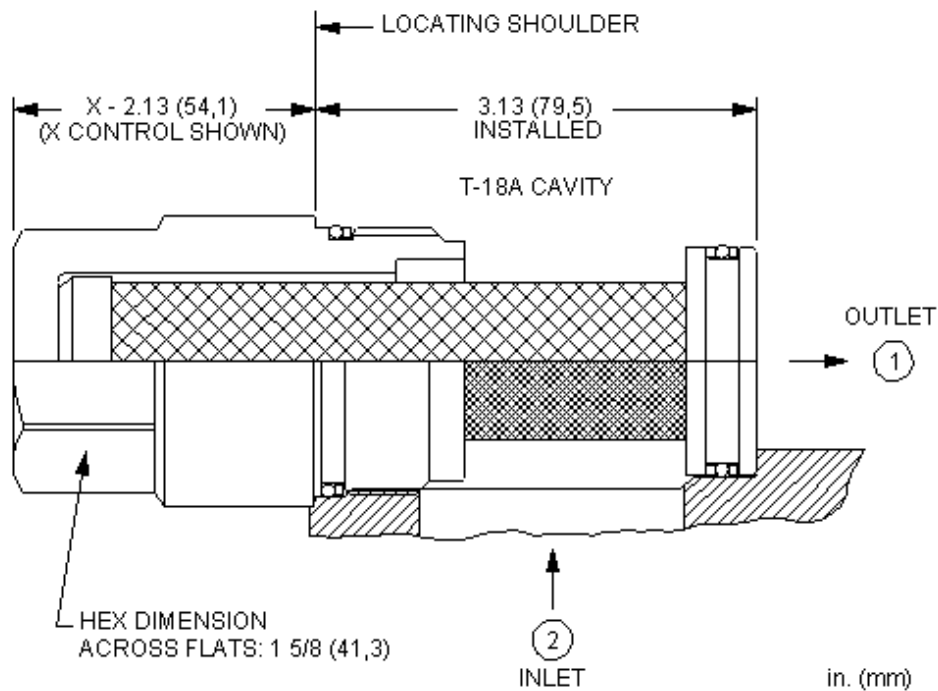
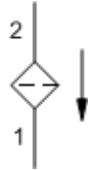
Products : Cartridges : Circuit Saver : 2-Port : Filter

Model:

FLJA

Product Description

Filter cartridge. For all the technical information on this product, click on the Filter Booklet link in the Related Information area below.



Technical Data

	U.S. Units	Metric Units
Cavity		T-18A
Series (from Cavity)		Series 4
Valve Hex Size	1 5/8 in.	41,3 mm
Valve Installation Torque	350 - 375 lbf ft	475 - 500 Nm
Seal Kits - Cartridge		Buna: 990-018-007
Seal Kits - Cartridge		Viton: 990-018-006

FLJA-XDN

Control Standard Options

X Not Adjustable

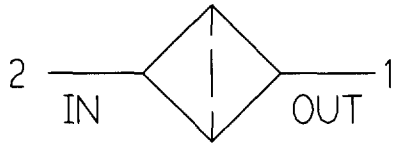
Filter Rating Standard Options

A 3 Micron Nominal
B 10 Micron Nominal
C 25 Micron Nominal
D 40 Micron Absolute

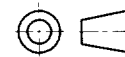
Seal Material Standard Options

N Buna-N
V Viton

SYMBOL



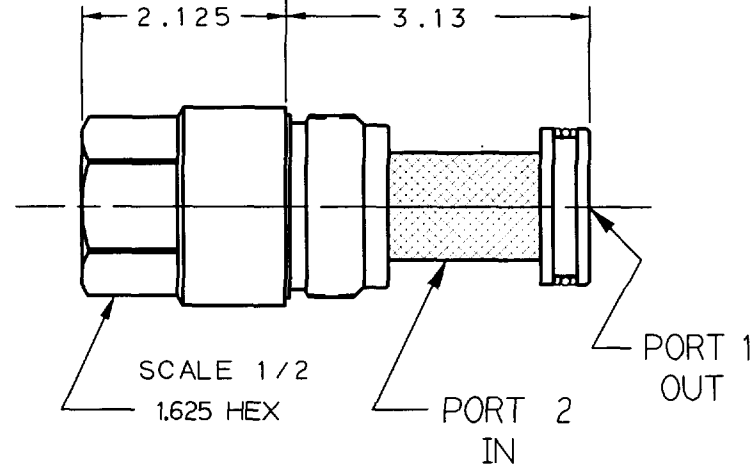
THIRD ANGLE PROJECTION



REVISION PART NO.

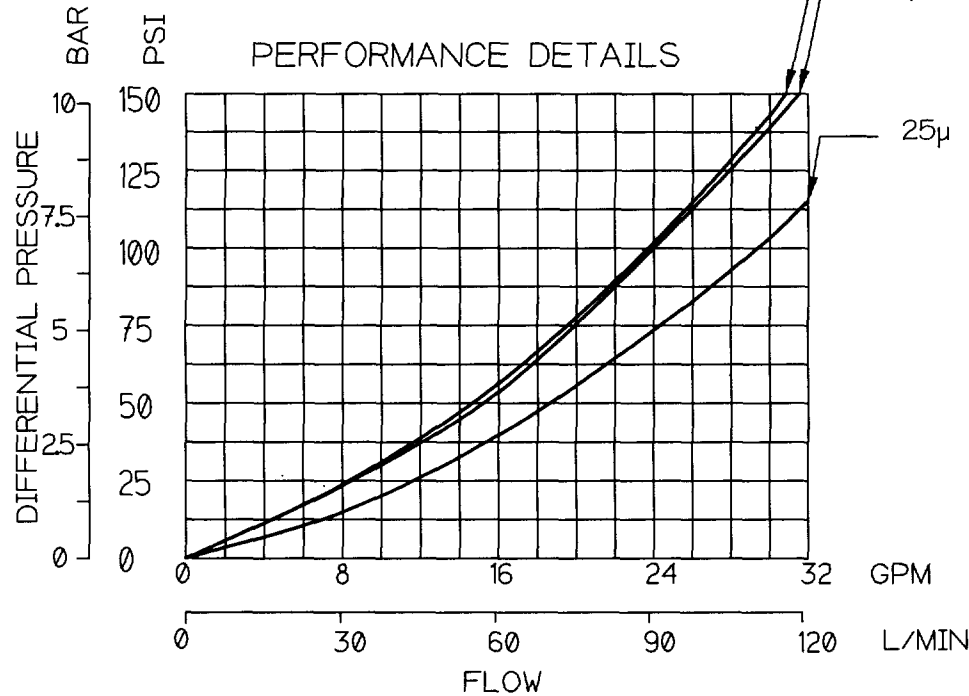
FLJA-X**

LOCATING SHOULDER



NOTES:

- 1) FOR CAVITY DIM., SEE "T-18A TOOLING & PORTING DRAWING."
 - 2) REPLACEMENT ELEMENT PART NUMBERS
 - NUMBER: A880-25*-368 25 MICRON
 - NUMBER: A880-10*-368 10 MICRON
 - NUMBER: A880-03*-368 3 MICRON
- 1 = BUNA N ; 2 = VITON



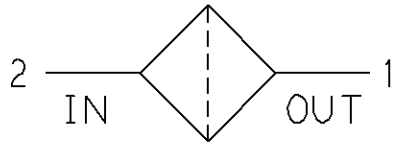
FLJA-X**

- A 3μ (MICRON)
- B 10μ (MICRON)
- C 25μ (MICRON)
- N = BUNA N SEALS
- V = VITON SEALS

				UNLESS OTHERWISE SPECIFIED		TITLE		REVISION		PART NO.	
				DIMENSION TOL		FILTER CARTRIDGE				FLJA-X**	
				.X = +/- .030		SERIES 4 DEPTH TYPE					
				.XX = +/- .015		SCALE/REF		MATERIAL			
				.XXX = +/- .005		AS NOTED		HEAT TREAT & FINISH			
				ANGLE TOL +/- 1/2°		DRAWN		CHECK		RELEASE	
				FINISH 80√		JER					
				REMOVE ALL BURRS		DATE		DATE		DATE	
						24 JUNE 97					
LTR		REVISION		DATE		DRN		CHK		REL	



SYMBOL



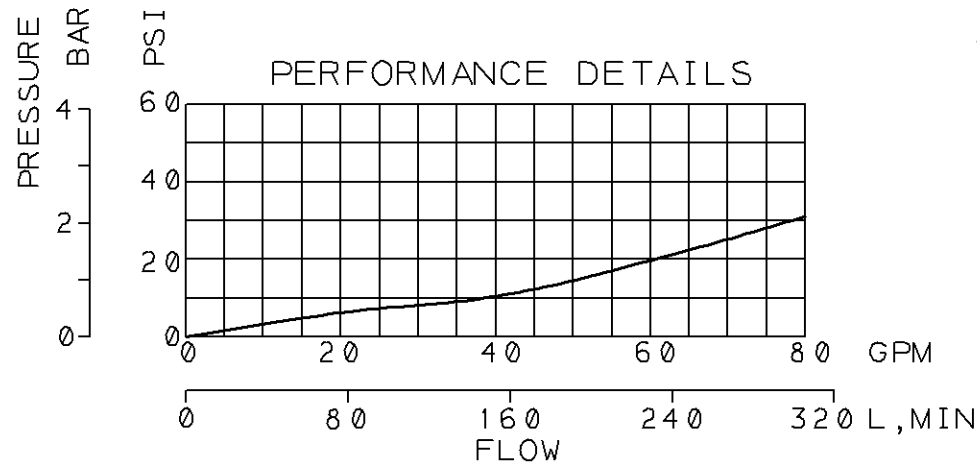
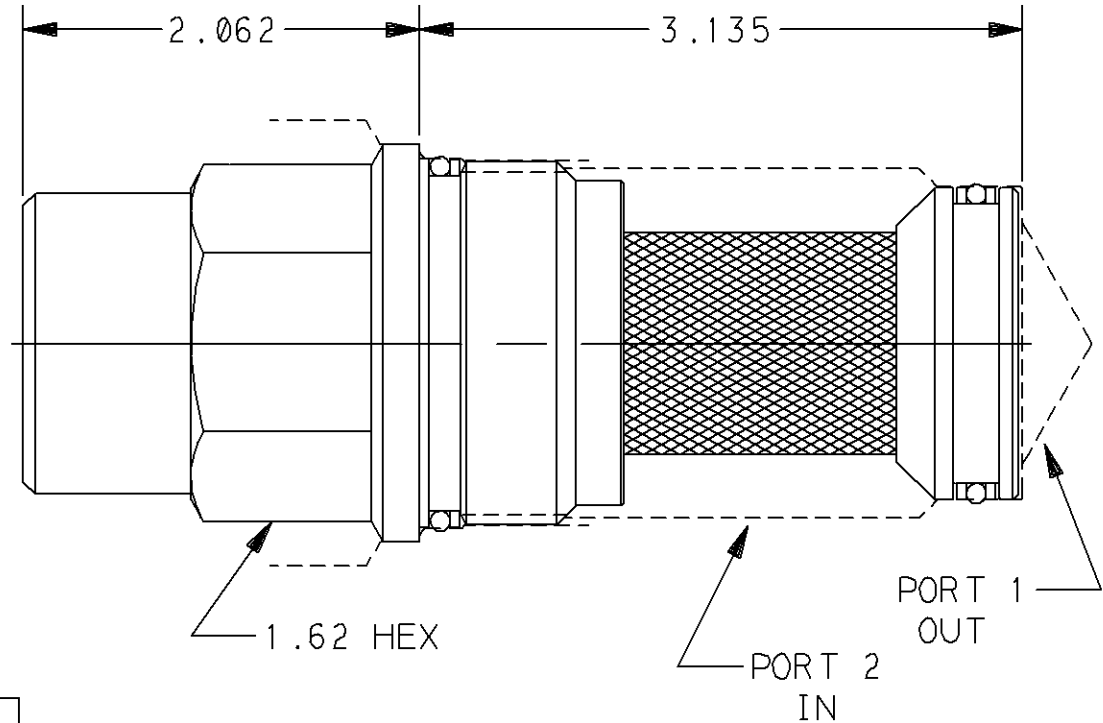
3RD ANGLE PROJECTION



REVISION
A

PART NO.

FLJA XD*



NOTES:

- 1) SEAL OPTIONS:
N = (BUNA-N), V = (VITON)
- 2) FOR CAVITY DIM., SEE "T-18A DIM., TOOLING, & PORTING DRAWING."
- 3) REPLACEMENT ELEMENT PART NUMBER: A880-40*-368

1 = BUNA-N ; 2 = VITON

				UNLESS OTHERWISE SPECIFIED		TITLE 40µm SERIES 4 FILTER OUTLINE			REVISION A	PART NO. FLJA XD*	
				DIMENSION TOL		SCALE REF.			MATERIAL		
				.x = ±.030		1 / 1			HEAT TREAT & FINISH		
				.xx = ±.015		DRAWN BRS			CHECK JR		
				.xxx = ±.005		DATE 05 APR 94			DATE 30 AUG 94		
				ANGLE TOL ± 1/2		RELEASE			DATE		
				FINISH 80✓		DATE			DATE		
				REMOVE ALL BURRS		DATE			DATE		
A		A880-40*-368 WAS 880-400-368		19 JAN 99		AG		JER			
LET		REVISION		DATE		DRN		CHK		REL	

