

Filter

Functional Group:

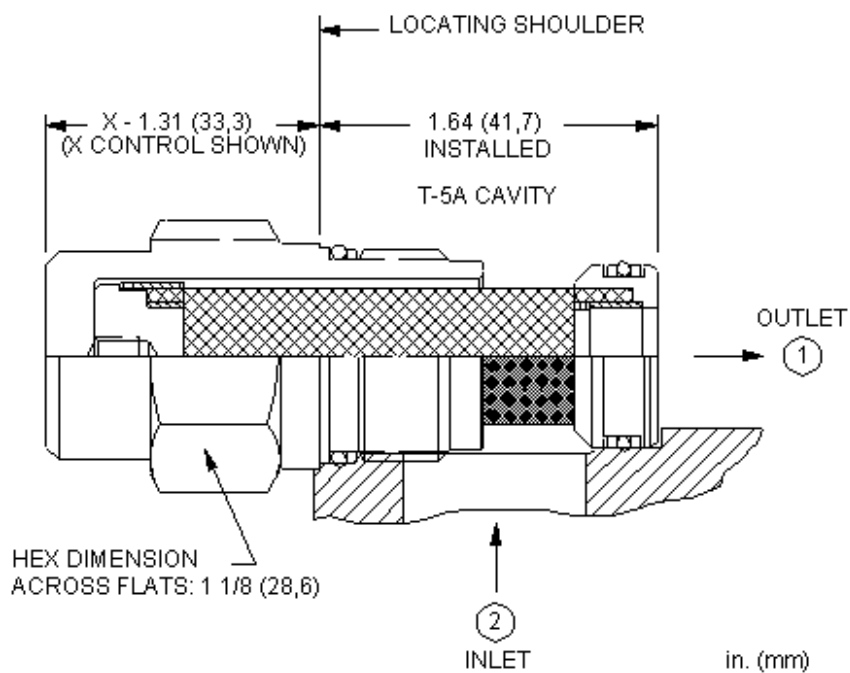
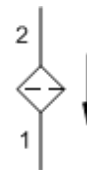
Products : Cartridges : Circuit Saver : 2-Port : Filter

Model:

FLFA

Product Description

Filter cartridge. For all the technical information on this product, click on the Filter Booklet link in the Related Information area below.



Technical Data

	U.S. Units	Metric Units
Cavity		T-5A
Series (from Cavity)		Series 2
Valve Hex Size	1 1/8 in.	28,6 mm
Valve Installation Torque	45 - 50 lbf ft	60 - 70 Nm
Seal Kits - Cartridge		Buna: 990-203-007
Seal Kits - Cartridge		Viton: 990-203-006
Model Weight	3.94 lb.	1.79 kg.

FLFA-XDN

Control

Standard Options

X Not Adjustable

Filter Rating

Standard Options

D 40 Micron Absolute

Seal Material

Standard Options

N Buna-N
V Viton

Material/Coating Modifier

Preferred Options

No modifier (standard material with no special coating)

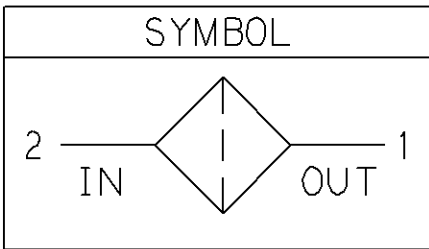
Special Options

/AP Stainless Steel, Passivated

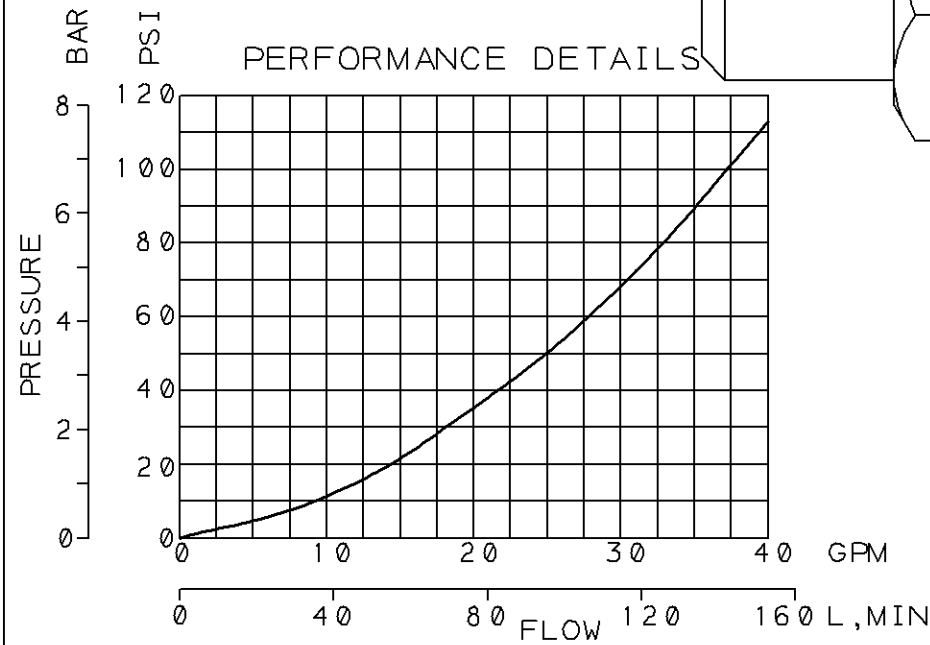
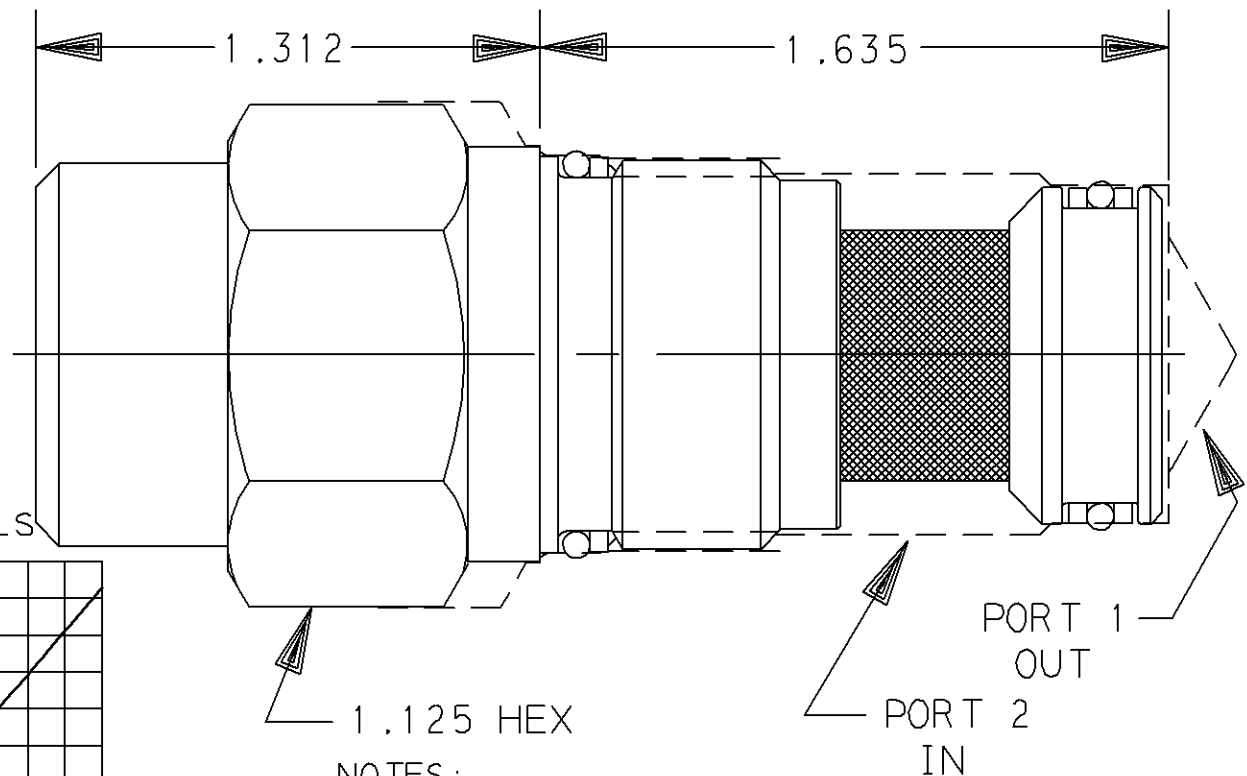
Control: X

When the modifier is /AP, the control must be X

Our corrosion resistant product line is growing! If you are interested in a corrosion resistant option for this model, please contact Sun.



3RD ANGLE PROJECTION REVISION A PART NO. FLFA XD*



NOTES:

- 1) SEAL OPTIONS:
N = (BUNA-N), V = (VITON)
- 2) FOR CAVITY DIM., SEE "T-5A DIM., TOOLING, & PORTING DRAWING."
- 3) REPLACEMENT ELEMENT PART NUMBER: A880-40*-207
1=BUNA-N ; 2=VITON

				UNLESS OTHERWISE SPECIFIED			TITLE 40µm SERIES 2 FILTER OUTLINE			REVISION A PART NO. FLFA XD*	
				DIMENSION TOL .x = ±.030 .xx = ±.015 .xxx = ±.005			SCALE REF. 2/1			MATERIAL	
				ANGLE TOL ± 1/2° FINISH 80V REMOVE ALL BURRS			DRAWN BRS CHECK JR RELEASE			HEAT TREAT & FINISH	
A A880-40*-207 WAS 880-400-207				19 JAN 99 AG JER			DATE 12 APR 94 DATE 30 AUG 94			 CORPORATION 1500 WEST UNIVERSITY PKWY SARASOTA, FLORIDA 34243, USA TELEPHONE (941) 362-1200	
LET REVISION				DATE DRN CHK REL							