

Filter

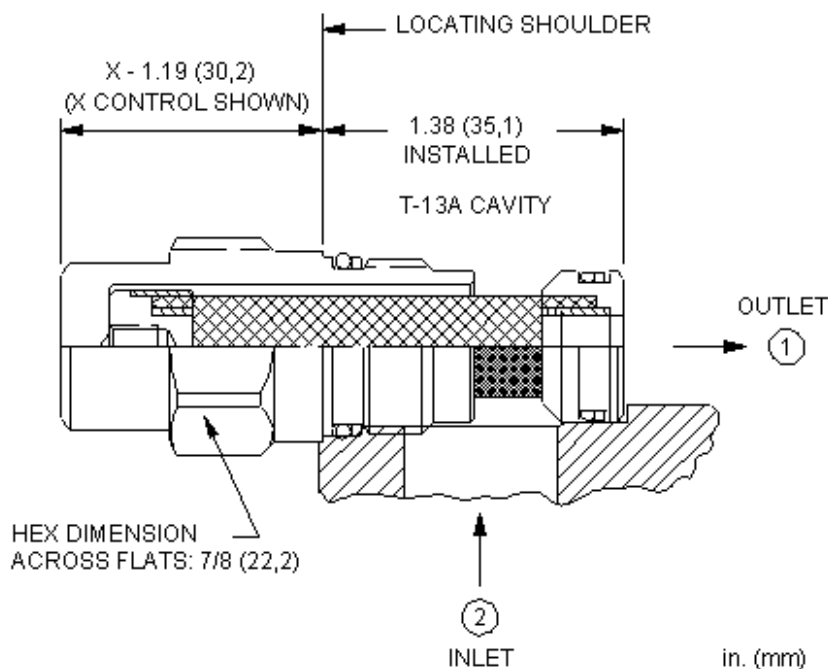
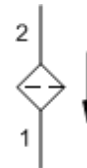
Model:
FLDA

Functional Group:

Products : Cartridges : Circuit Saver : 2-Port : Filter

Product Description

Filter cartridge. For all the technical information on this product, click on the Filter Booklet link in the Related Information area below.



Technical Data

	U.S. Units	Metric Units
Cavity		T-13A
Series (from Cavity)		Series 1
Valve Hex Size	7/8 in.	22,2 mm
Valve Installation Torque	30 - 35 lbf ft	40 - 50 Nm
Seal Kits - Cartridge		Buna: 990-010-007
Seal Kits - Cartridge		Viton: 990-010-006
Model Weight	0.23 lb.	0.10 kg.

FLDA-XDN

Control

Standard Options

X Not Adjustable

Filter Rating

Standard Options

D 40 Micron Absolute

Seal Material

Standard Options

N Buna-N
V Viton

Material/Coating Modifier

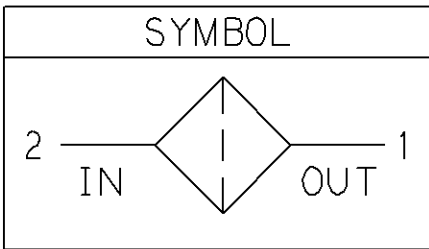
Preferred Options

No modifier (standard material with no special coating)

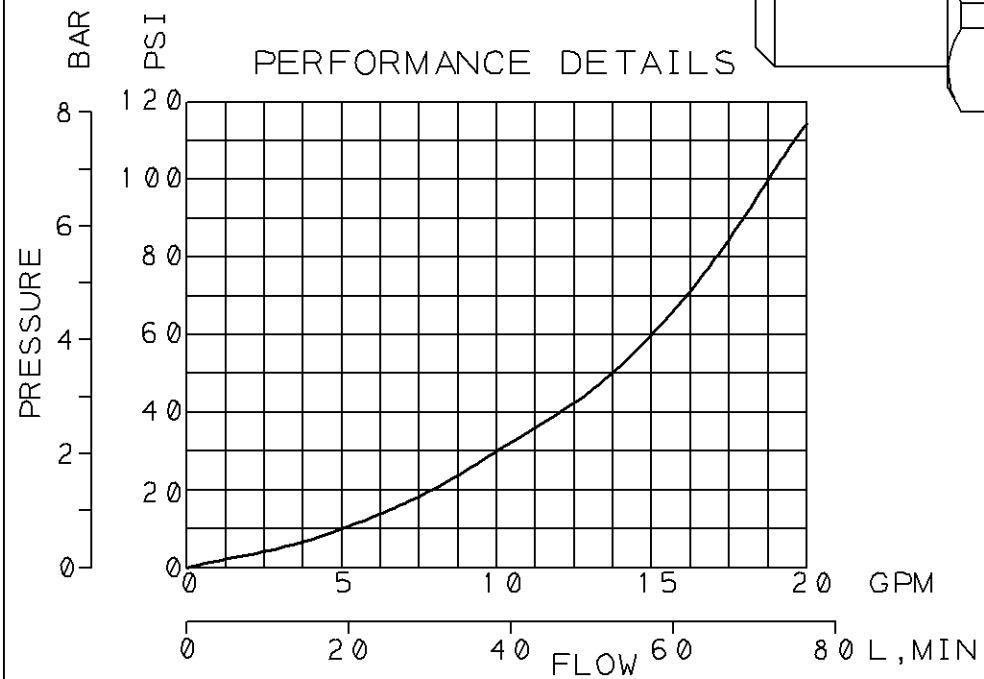
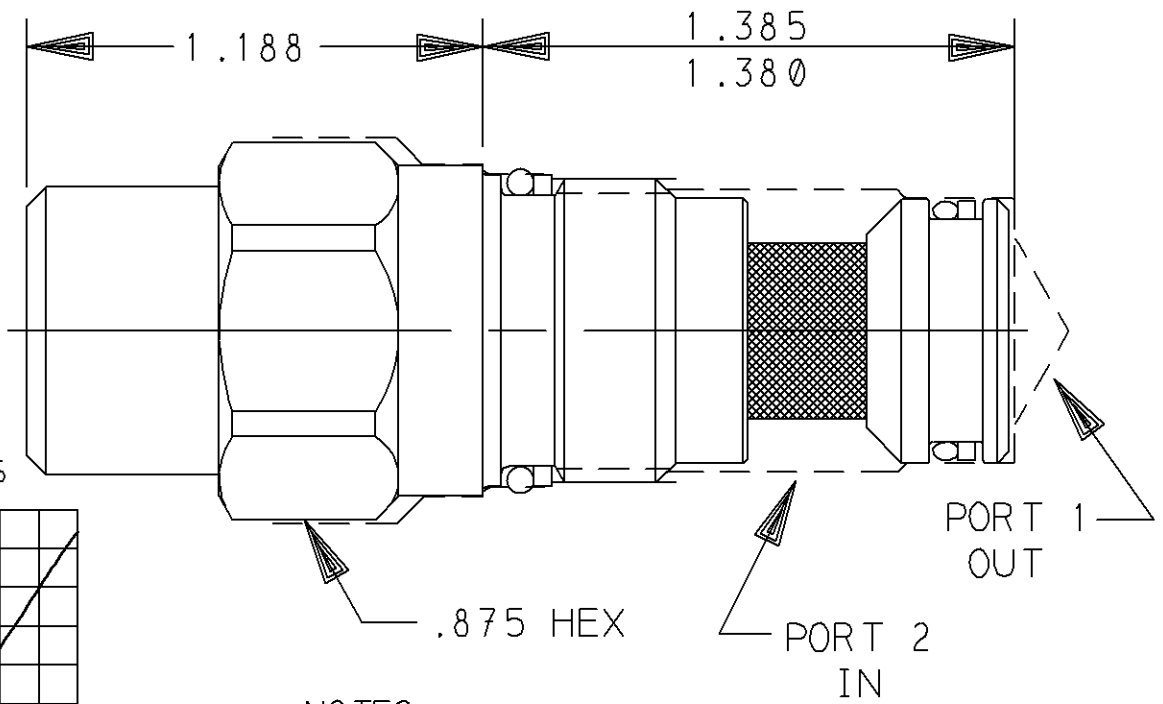
Special Options

/AP Stainless Steel, Passivated

Our corrosion resistant product line is growing! If you are interested in a corrosion resistant option for this model, please contact Sun.



3RD ANGLE PROJECTION REVISION A PART NO. FLDA XD*



NOTES:

- 1) SEAL OPTIONS:
N = (BUNA-N), V = (VITON)
- 2) FOR CAVITY DIM., SEE "T-13A DIM., TOOLING, & PORTING DRAWING."
- 3) REPLACEMENT ELEMENT PART NUMBER: A880-40*-211
1 = BUNA-N : 2 = VITON

				UNLESS OTHERWISE SPECIFIED			TITLE 40 μ m SERIES 1 FILTER OUTLINE			REVISION A	PART NO. FLDA XD*	
				DIMENSION TOL .x = \pm .030 .xx = \pm .015 .xxx = \pm .005			SCALE 2/1	REF.		MATERIAL		
				ANGLE TOL \pm 1/2			DRAWN BRS	CHECK JR	RELEASE	HEAT TREAT & FINISH		
				FINISH 80 \checkmark			DATE 12 APR 94	DATE 12 APR 94	DATE	<p>SUN hydraulics[®] CORPORATION 1500 WEST UNIVERSITY PKWY SARASOTA, FLORIDA 34243, USA TELEPHONE (941) 362-1200</p>		
				REMOVE ALL BURRS								
A	A880-40*-211 WAS 880-400-211			19 JAN 99	AG	JER						
LET	REVISION			DATE	DRN	CHK	REL					