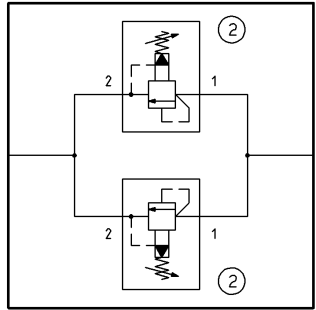
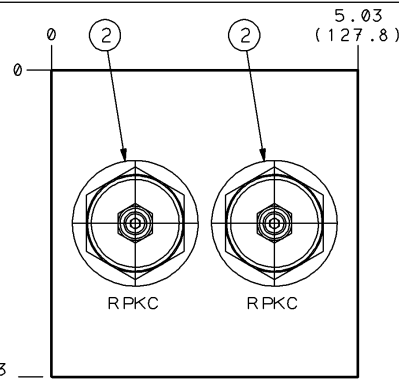


SYMBOL



PORTS 1,2  
2.50 SAE CODE 61 FLANGE



3RD ANGLE PROJECTION

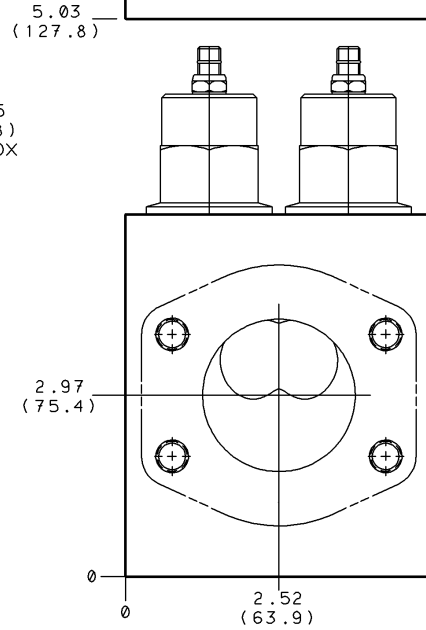
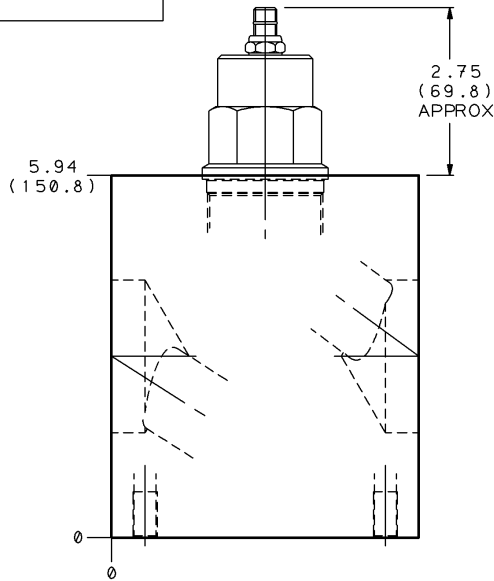
REVISION

PART NO.

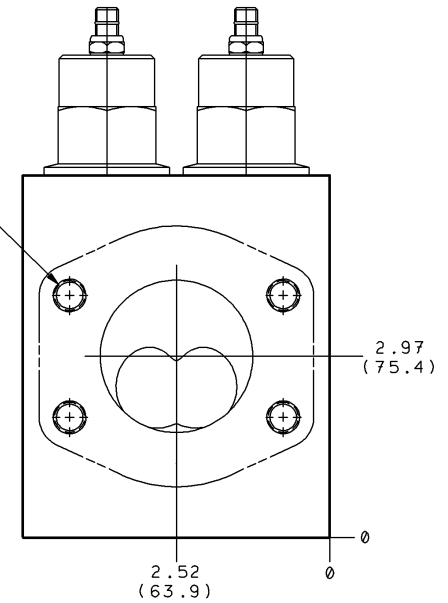
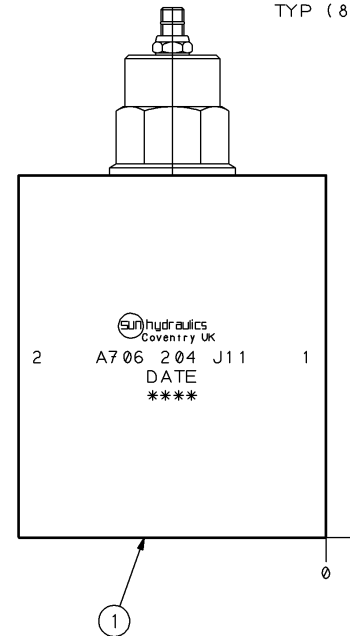
A706-204-J11

NOTES

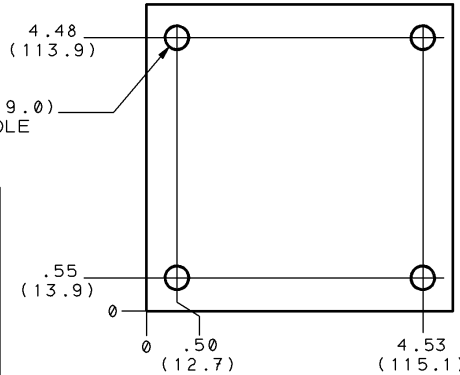
PLEASE REFER TO SUN HYDRAULICS' TECHNICAL LITERATURE / CATALOGUE INFORMATION FOR DETAILS OF STANDARD VALVE SETTINGS, ADJUSTMENT RANGES, SEALS MATERIAL, TORQUE VALUES, MAXIMUM PRESSURE RATINGS, ETC. ETC



M12x1.75-6H  
x 1.19 (30.2) DEEP  
THREADED HOLES  
TYP (8) PLACES



M10x1.5-6Hx.75(19.0)  
DEEP THREADED HOLE  
TYP (4) PLACES



OUTLINE & ASS'Y

2	RPKC-LEN	RELIEF VALVE	2
1	171-435	BODY	1
ITEM	PART NO.	PART NAME	QTY

UNLESS OTHERWISE SPECIFIED	TITLE	DUAL INLINE RELIEF VALVE IN-PARALLEL T-18A CAVITIES 2.50" SAE CODE 61 FLANGE	REVISION	PART NO.
DIMENSION TOL .X = ±.030 .XX = ±.015 .XXX = ±.005	REF.	HYDNET EQ202252		A706-204-J11
ANGLE TOL ±½ FINISH 80✓ REMOVE ALL BURRS	DRAWN	CHECK	RELEASE	MATERIAL
	GH	MJ	UK01459	DUCTILE IRON
	DATE	DATE	DATE	HEAT TREAT & FINISH
	20 JUN 07	20 JUN 07	20 JUN 07	DEWATERING OIL ONLY



LET	REVISION	DATE	DRN	CHK	REL