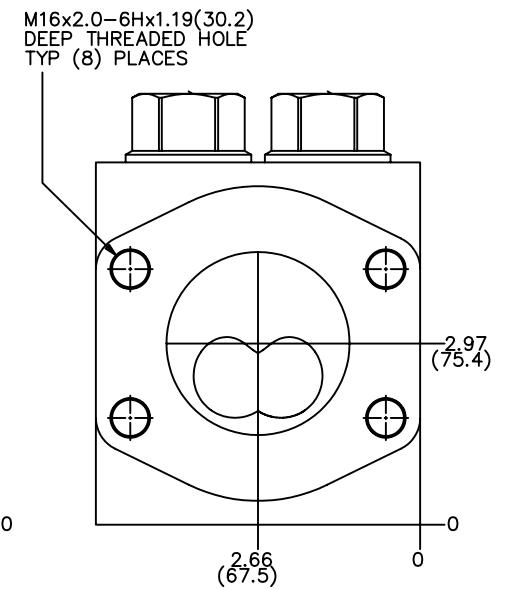
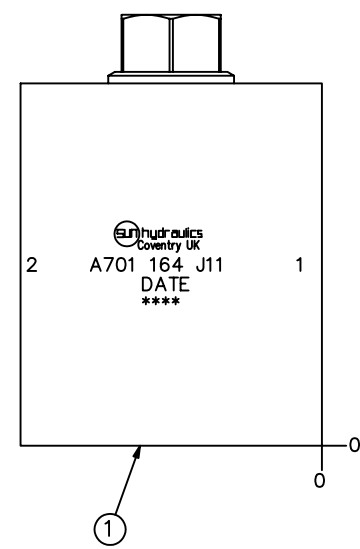
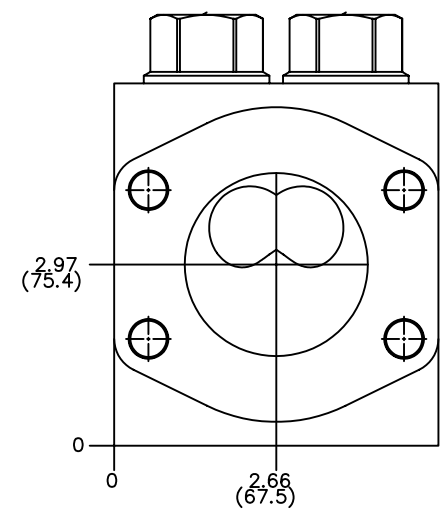
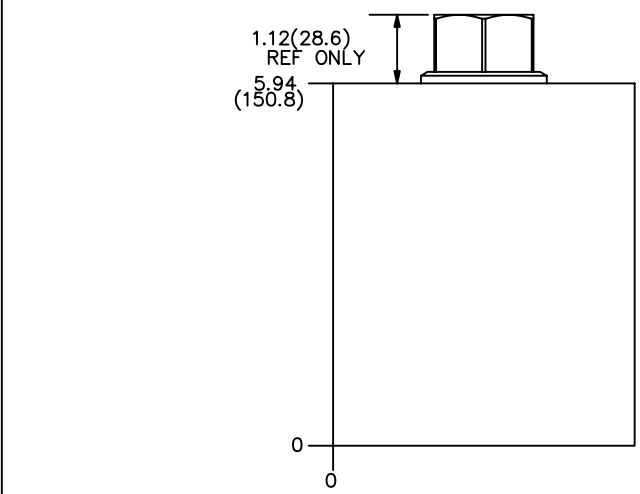


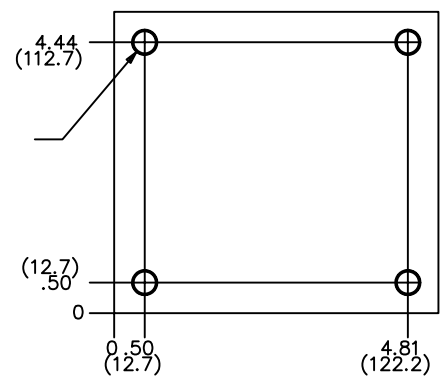
3RD ANGLE PROJECTION REVISION PART NO. A701-164-J11

NOTES
PLEASE REFER TO SUN HYDRAULICS' TECHNICAL LITERATURE / CATALOGUE INFORMATION FOR DETAILS OF STANDARD VALVE SETTINGS, ADJUSTMENT RANGES, SEALS MATERIAL, TORQUE VALUES, MAXIMUM PRESSURE RATINGS, ETC. ETC



PORTS 1,2
3.00 SAE CODE 61 FLANGE

M10x1.5-6Hx.75(19.0)
DEEP THREADED HOLE
TYP (4) PLACES



2	CXJA-XAN	CHECK VALVE	2
1	171-049	BODY	1
L	P	A	Q
	P	A	Q
	PART NO.	PART NAME	QTY

OUTLINE & ASS'Y				REVISION	PART NO.
UNLESS OTHERWISE SPECIFIED		TITLE		A701-164-J11	
DIMENSION TOL		REF. HYDNET		MATERIAL	
.x = ±.030		EQ202002		ALUMINIUM	
.xx = ±.015		DRAWN MJ		HEAT TREAT & FINISH	
.xxx = ±.005		CHECK AP		UK01295	
ANGLE TOL ± 1/2		DATE 31JAN07		DATE 01FEB07	
FINISH 80 ✓		DATE 01FEB07		DATE 01FEB07	
REMOVE ALL BURRS					



LET	REVISION	DATE	DRN	CHK	REL