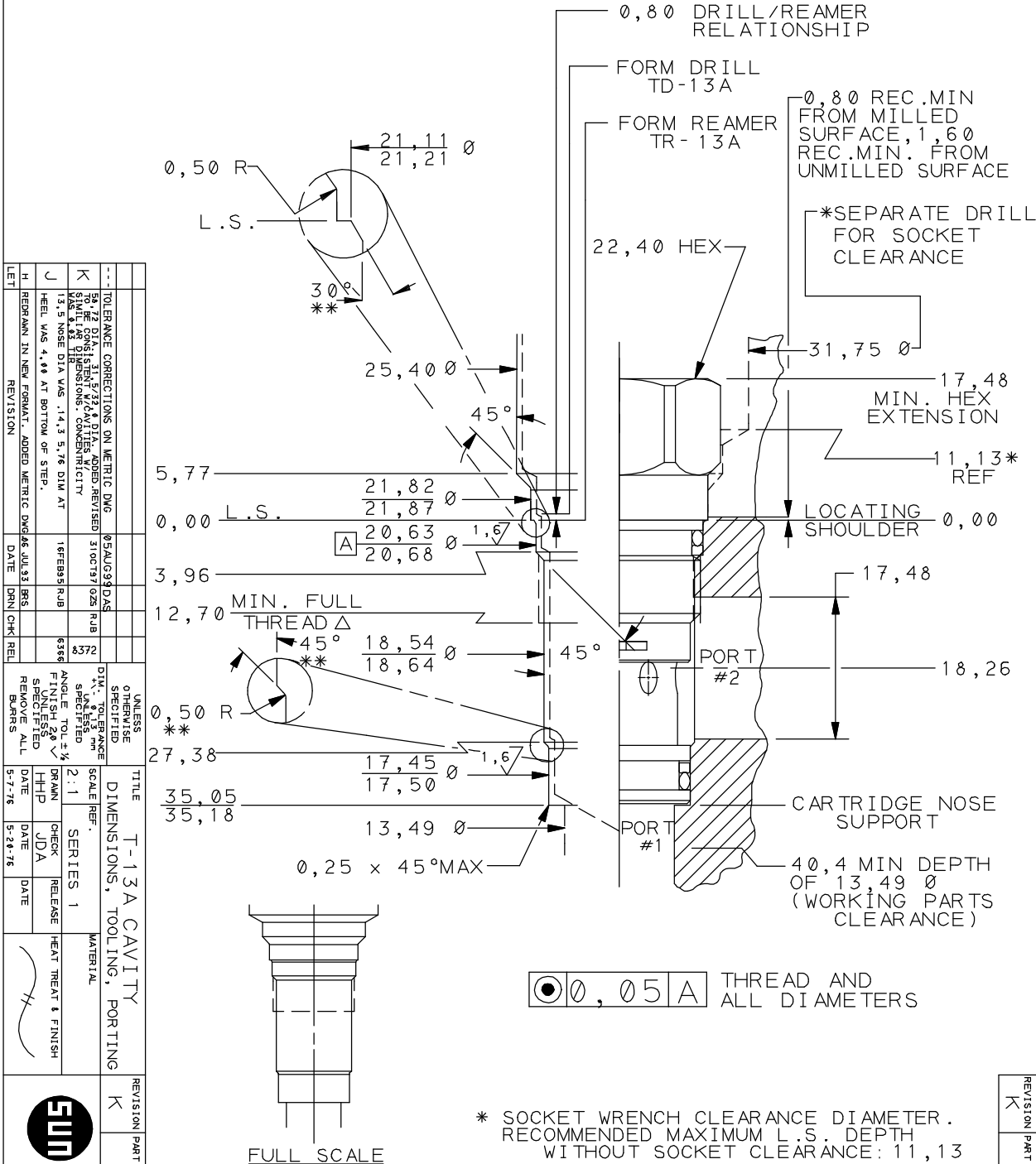


T-13A CAVITY DETAILS

(ALL DIMENSIONS IN MILLIMETERS)
 $\Delta M20 \times 1.5-6H$ ISO (METRIC) THREAD
 19,026/19,216 PITCH DIA.



LET	REVISION IN NEW FORMAT. ADDED METRIC DIMS & JUL 93 BRJ	DATE	DBN	CHK	REL
H	REVISION				
J	HEEL WAS 4,44 AT BOTTOM OF STEP.	16FEB85	RUB		
K	20.72 DIA. IN 27.28 DIA. DIMS ADDED. REVISED 31 OCT 93 025 RUB	31 OCT 93	RUB		
K	STANDARD DIMENSIONS. CONCENTRICITY				
---	TOLERANCE CORRECTIONS ON METRIC DWG				
---	UNLESS OTHERWISE SPECIFIED				
---	DIM. TOLERANCE				
---	FINISH 20 μ m				
---	ANGLE TOL $\pm 1/2$				
---	REMOVE ALL BURRS				
---	SCALE REF.				
---	T-13A CAVITY				
---	DIMENSIONS, TOOLING, PORTING				
---	SERIES 1				
---	MATERIAL				
---	HEAT TREAT & FINISH				
---	REVISION				
---	PART NO. T-13A				
---	METRIC				
---	SHEET 2 OF 2				

PROPRIETARY NOTICE
 THIS DRAWING DESCRIBES A PROPRIETARY PRODUCT OF SUN HYDRAULICS CORPORATION AND MAY NOT BE REPRODUCED OR GIVEN TO A THIRD PARTY WITHOUT WRITTEN PERMISSION FROM SUN HYDRAULICS CORPORATION
 © SUN HYDRAULICS CORPORATION

* SOCKET WRENCH CLEARANCE DIAMETER. RECOMMENDED MAXIMUM L.S. DEPTH WITHOUT SOCKET CLEARANCE: 11,13
 MINIMUM CENTERLINE-TO-EDGE DISTANCE: 14,28
 MINIMUM CENTERLINE-TO-CENTERLINE DISTANCE: 26,98
 NBOM CALLOUT: SUN STD T-13A CAVITY
 NBOM CODE: T13A

**ALL O-RING "LEAD IN'S" TO BE SMOOTH AND FREE OF NICKS AND SHARP EDGES

REVISION K PART NO. T-13A METRIC SHEET 2 OF 2

